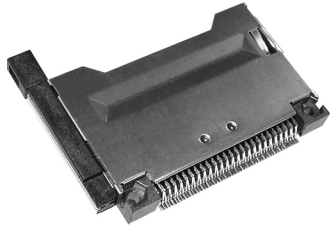
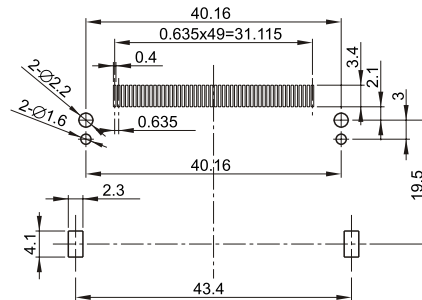
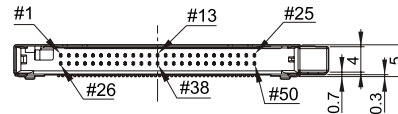
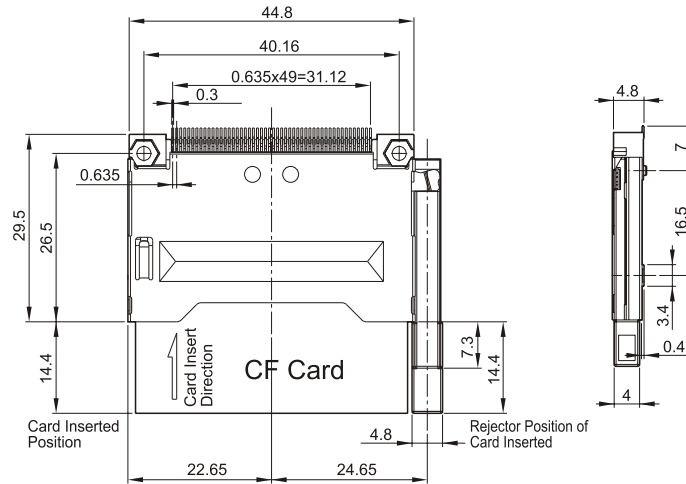


SC-0306*001



FOR COMPACT FLASH CARD



PCB LAYOUT
(TOP VIEW)

No.	Description	Pin No.	L ±0.1
1.	Power	1, 13, 38, 50	5.00
2.	General	All Other Pins	4.25
3.	Detect	25, 26	3.50