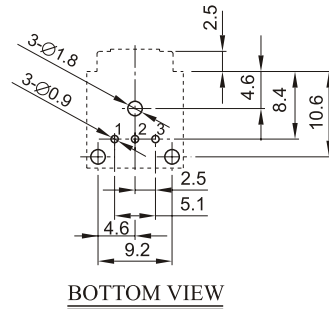
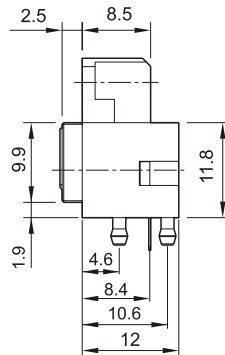
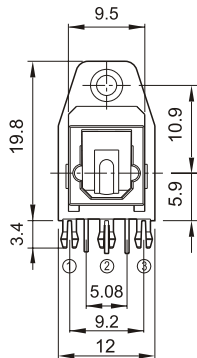


OC-0805

(With Screw Hole Type)



BOTTOM VIEW

| Transmitter | |
|-------------|---|
| Vin | ① |
| Vcc | ② |
| GND | ③ |