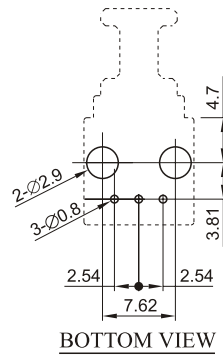
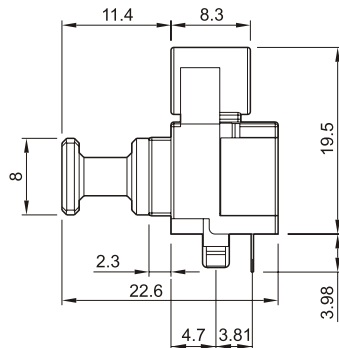
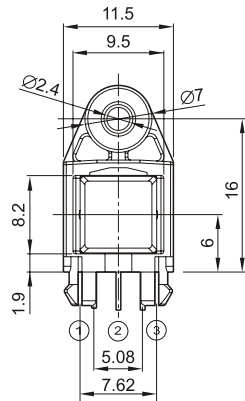
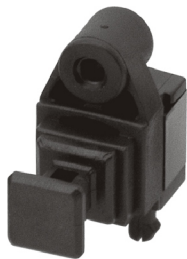


OC-0803

(With Screw Hole Type)



BOTTOM VIEW

Transmitter	
Vin	①
Vcc	②
GND	③